

SEE PAGE 2 FOR BOTTOM VIEW

NOTES:

- A. FOR REFERENCE UNLESS PROPERLY ENDORSED. FOR ADDITIONAL DETAILS AND SPECIFICATIONS, CONSULT YASKAWA AMERICA, INC.
- B. DIMENSIONS ARE IN INCHES [MILLIMETERS].
- C. USE APPROPRIATE TYPE RATED HUBS OR FITTINGS TO MAINTAIN ENCLOSURE RATING.
- D. HATCHED AREA INDICATES PERMISSIBLE CONDUIT ENTRANCE AREA.
- E. FANS, FILTERS AND/OR CLOSING PLATES ARE SUPPLIED AS NEEDED PER OPTION SELECTIONS.

YASKAWA

THIS DOCUMENT AND INFORMATION CONTAINED IN IT ARE CONFIDENTIAL AND CANNOT BE COPIED OR DISCLOSED IN WHOLE OR IN PART WITHOUT THE EXPRESS WRITTEN CONSENT OF YASKAWA AMERICA, INC.

ORIGINAL DESIGN:
D. Guckenberger

DRAWN:
D. Guckenberger

CHECKED:
A. Jandrin

APPROVED:
R. Jensen

DATE:
04/30/2020

DATE:
04/30/2020

DATE:
05/01/2020

DATE:
05/04/2020

TITLE:
DIMENSION DRAWING, HWF, TYPE 1, F1

SIZE:
B

REVISION:
01

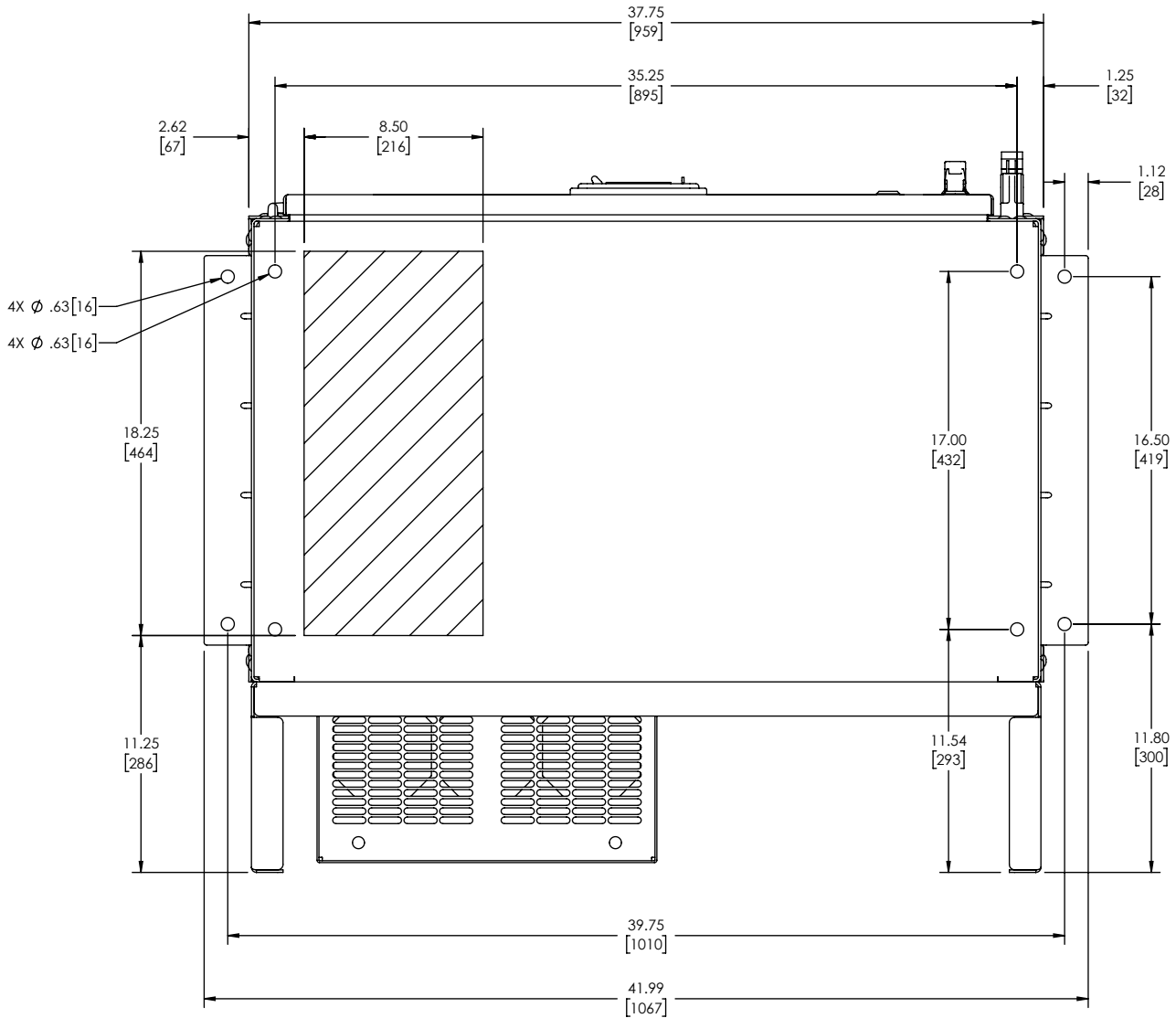
PAGE:
1 OF 3


DRAWING #:

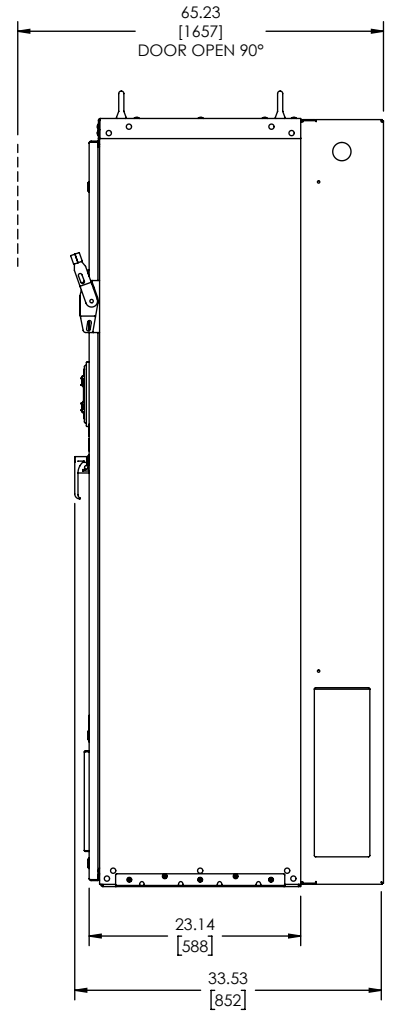
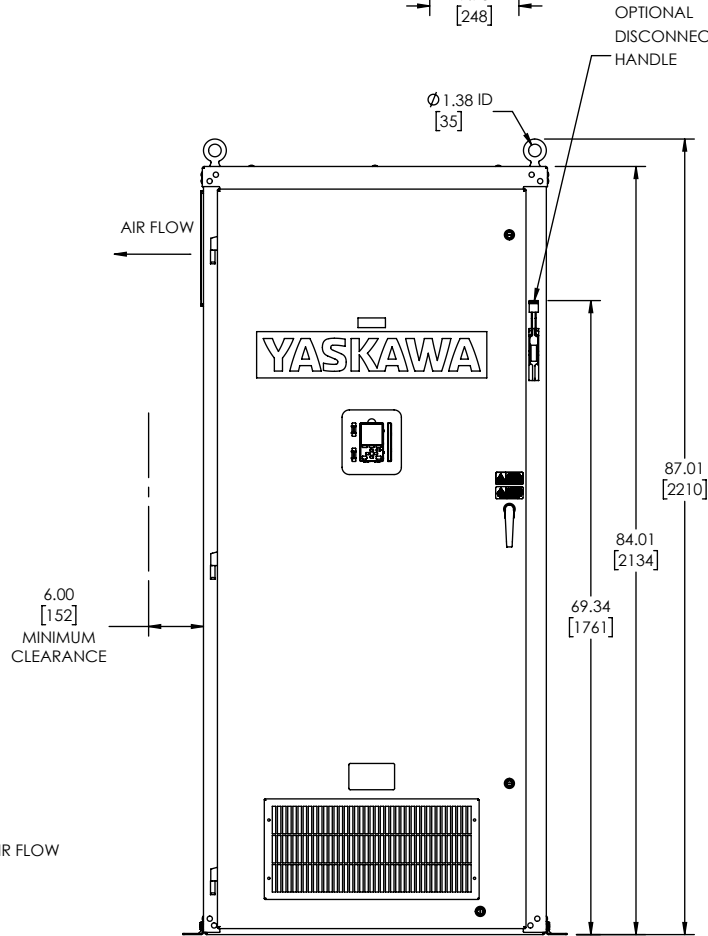
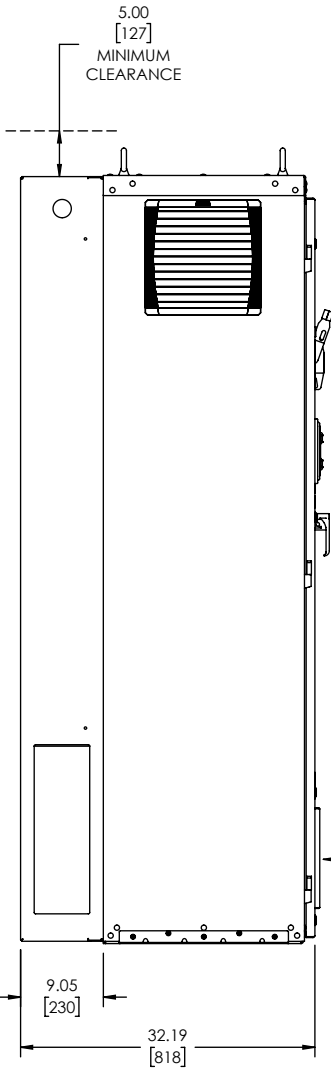
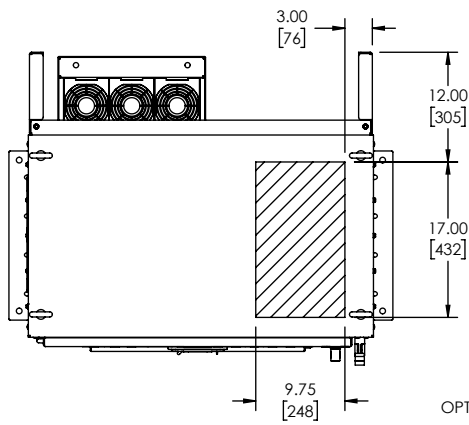
UNITS: **INCHES**

SCALE: **NONE**


DD.HWF.1.F1.01



	ORIGINAL DESIGN: D. Guckenberger	DATE: 04/30/2020	TITLE: DIMENSION DRAWING, HWF, TYPE 1, F1		
	DRAWN: D. Guckenberger	DATE: 04/30/2020	SIZE: B	REVISION: 01	PAGE: 2 OF 3
<small>THIS DOCUMENT AND INFORMATION CONTAINED IN IT ARE CONFIDENTIAL AND CANNOT BE COPIED OR DISCLOSED IN WHOLE OR IN PART WITHOUT THE EXPRESS WRITTEN CONSENT OF YASKAWA AMERICA INC.</small>	CHECKED: A. Jandrin	DATE: 05/01/2020	DRAWING #:		
UNITS: INCHES	SCALE: NONE	APPROVED: R. Jensen	DATE: 05/04/2020	DD.HWF.1.F1.01	



SEE PAGE 2 FOR BOTTOM VIEW

	ORIGINAL DESIGN: D. Guckenberger	DATE: 04/30/2020	TITLE: DIMENSION DRAWING, HWF, TYPE 1, F1		
	DRAWN: D. Guckenberger	DATE: 04/30/2020			
<small>THIS DOCUMENT AND INFORMATION CONTAINED IN IT ARE CONFIDENTIAL AND CANNOT BE COPIED OR DISCLOSED IN WHOLE OR IN PART WITHOUT THE EXPRESS WRITTEN CONSENT OF YASKAWA AMERICA INC.</small>	CHECKED: A. Jandrin	DATE: 05/01/2020	SIZE: B	REVISION: 01	PAGE: 3 OF 3
	APPROVED: R. Jensen	DATE: 05/04/2020	DRAWING #:		
UNITS: INCHES	SCALE: NONE	DD.HWF.1.F1.01			